

Fashion Bed Group

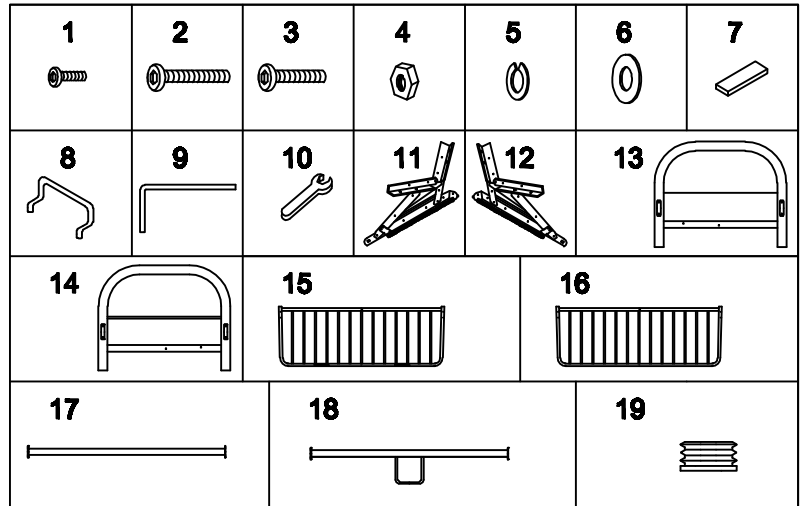
A Division of Leggett & Platt Incorporated
5950 West 51st Street - Chicago, IL 60638

Saturn Futon Parts List

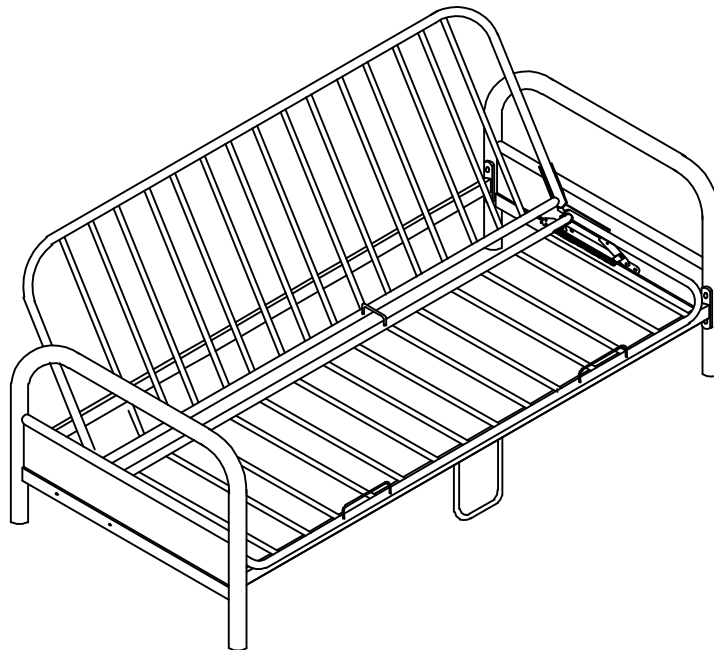
FUTON BOX

PART#367201 HARDWARE FOR FUTON

- (1) 5/16-18 X 3/4" FLAT HEAD ALLEN SCREW-8
- (2) 5/16-18 X 1 3/4" FLAT HEAD SCREW-8
- (3) 5/16-18 X 1 3/8" FLAT HEAD SCREW-4
- (4) 5/16-18 HEX NUT W/NYLON LOCK INSERT-12
- (5) 5/16" ID LOCK WASHER-12
- (6) 7/8" OD X 5/16" ID FLAT WASHER-20
- (7) 3/4" X 1 1/2" X 1/8" ADHESIVE PAD-4
- (8) U-SHAPE BRACE-1
- (9) ALLEN WRENCH -1
- (10) OPEN WRENCH-1
- (11) LEFT BRACKET #367202
- (12) RIGHT BRACKET #367203
- (13) LEFT SIDE-1
- (14) RIGHT SIDE-1
- (15) FRONT DECK-1
- (16) BACK DECK-1
- (17) BACK RAIL-1
- (18) FRONT RAIL-1
- (19) PLASTIC GLIDES-4 #367204 (COME PRE-INSERTED)



PRODUCT FULLY ASSEMBLED



IMPORTANT NOTES!!

TO OPEN FUTON INTO A BED, GRASP FRONT DECK RAIL AND PULL TOWARD YOU UNTIL SLEEP SURFACE IS FLAT.

TO CLOSE FUTON FOR SITTING PURPOSES, GRASP A BACK CORNER AND PULL UP UNTIL FUTON IS IN A SITTING POSITION.

NEVER PUT HANDS NEAR MECHANICAL BRACKET WHEN OPENING OR CLOSING FUTON.

FOR ASSISTANCE IN ASSEMBLY ONLY OF THIS PRODUCT, CALL OUR HELP DESK AT 1-800-324-3415, BETWEEN 8:30 AM & 4:30 PM CENTRAL TIME MONDAY THRU FRIDAY. PLEASE HAVE THE STYLE NUMBER AVAILABLE BEFORE YOU CALL. (STYLE # OR NAME CAN BE FOUND ON PACKING CARTON OR SALES RECEIPT.) OUR PRODUCT IS INSPECTED TO ENSURE IT IS IN GOOD CONDITION. IF YOUR FURNITURE APPEARS TO HAVE BEEN DAMAGED IN SHIPMENT OR YOU ARE IN NEED OF REPLACEMENT PARTS PLEASE CONTACT THE DEALER FROM WHOM YOU PURCHASED THE PRODUCT.

Instruction Sheet

STEP 1: ASSEMBLING BRACKET MECHANISMS TO SIDE.

NOTE: LEFT AND RIGHT BRACKETS ARE EASILY IDENTIFIED BY FINDING THE LETTER "L" FOR LEFT AND THE LETTER "R" FOR RIGHT STAMPED ON EACH BRACKET.

ALIGN LEFT BRACKET (11) HOLES (FLAT PIECE WITH HOLES NEXT TO LONG SPRING), TO HOLES IN LEFT SIDE (13) INSERT SCREWS (3) ON FLAT METAL WASHER (6) AND INTO SIDE PANEL (13) THROUGH HOLES. SLIDE LOCK WASHERS (5) OVER SCREW (3), SECURE SCREW WITH HEX NUTS (4) . (SEE FIGURE 1)

USE ALLEN WRENCH (9) AND OPEN WRENCH (10) TO TIGHTEN ALL SCREWS.

REPEAT STEPS ON OTHER SIDE PANEL USING RIGHT SIDE PANEL & RIGHT BRACKET.

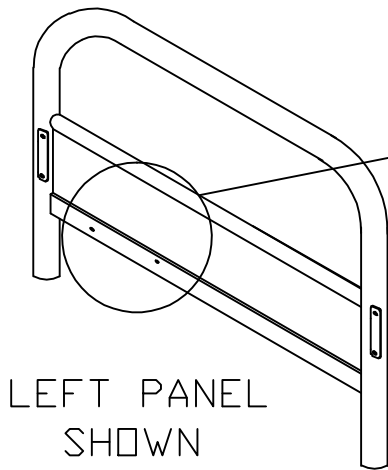
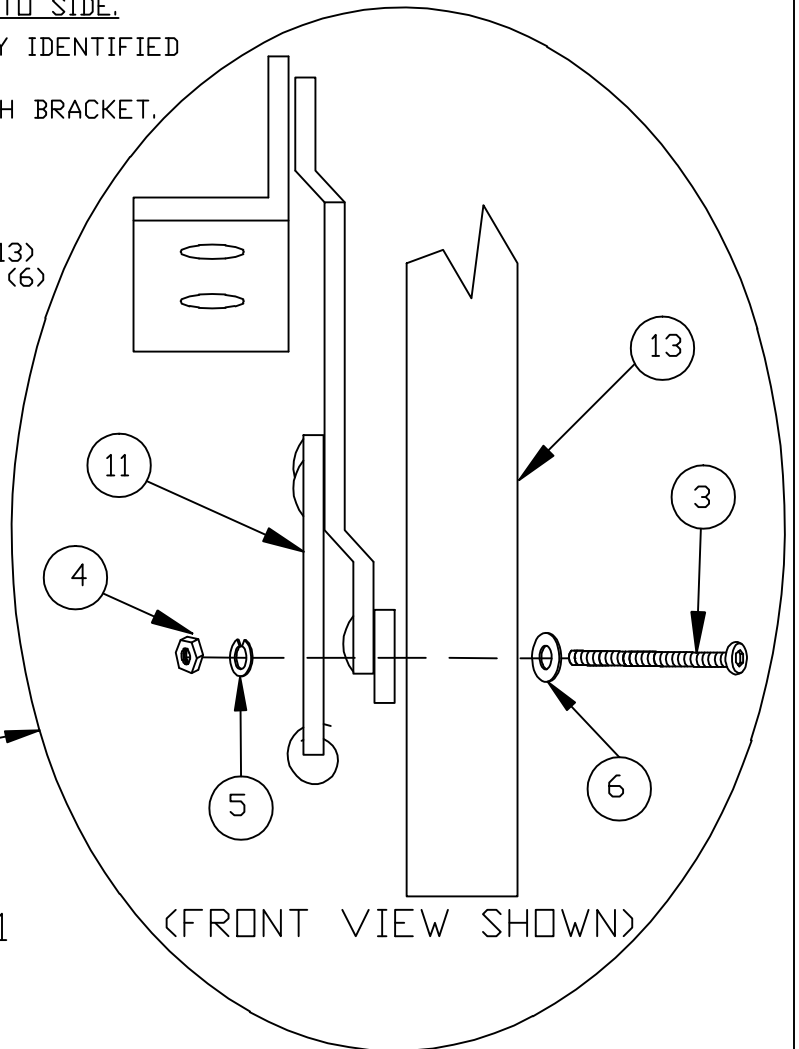


FIG. 1

(FRONT VIEW SHOWN)

STEP 2: ASSEMBLE FRONT & BACK RAILS TO SIDE PANELS.

ALIGN FRONT RAIL (18) FLAT END BRACKET TO HOLES IN SIDE PANEL (13). SECURE EACH CORNER WITH SCREWS (1) AND FLAT WASHERS (6). USE ALLEN WRENCH (9) TO TIGHTEN ALL SCREWS. REPEAT SAME STEPS WITH BACK RAILS (17). (SEE FIG. 2)

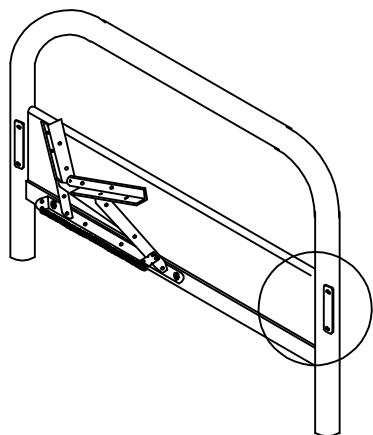


FIG. 2

